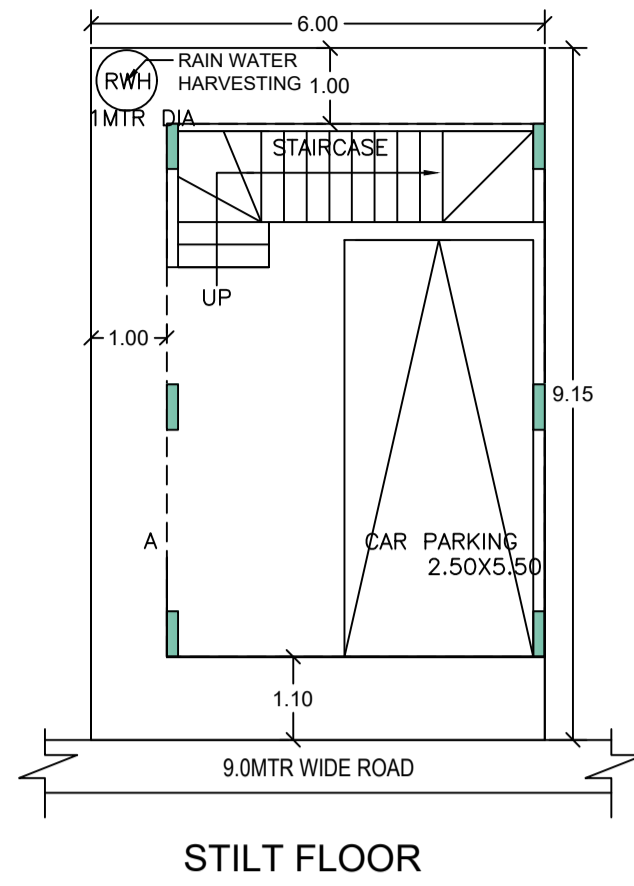
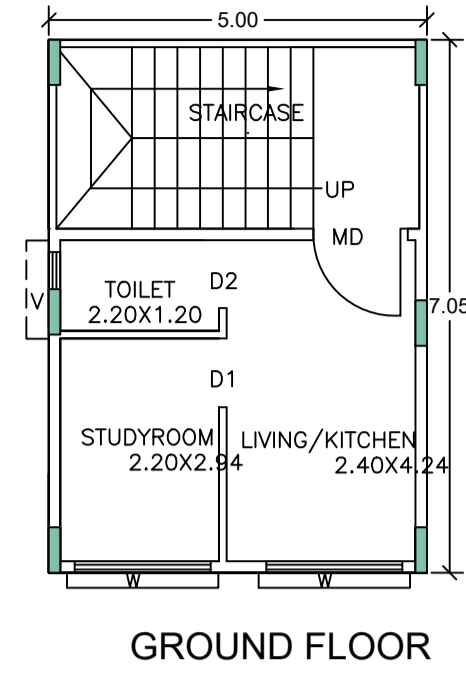


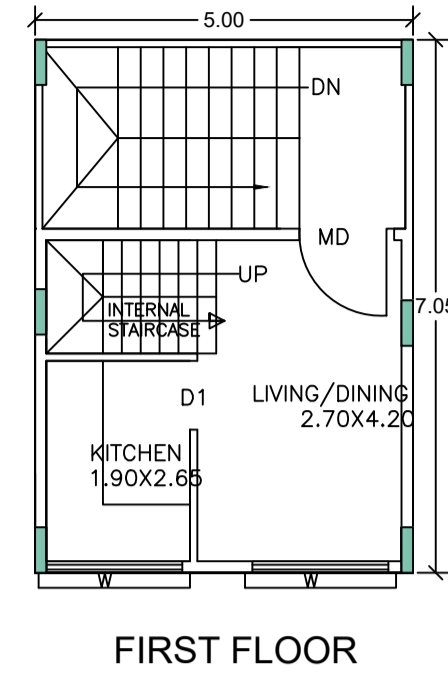
SCALE : 1:100



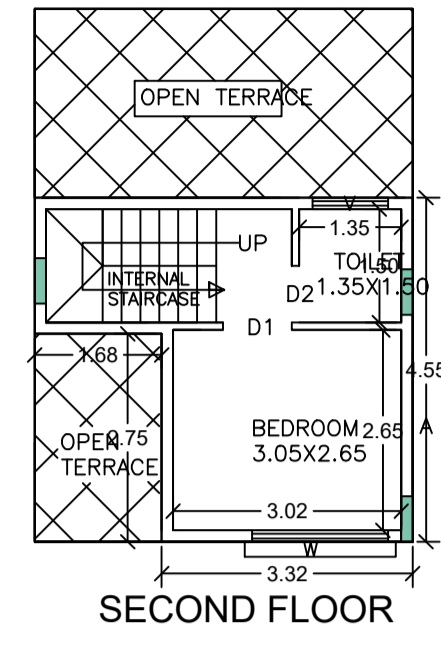
STILT FLOOR



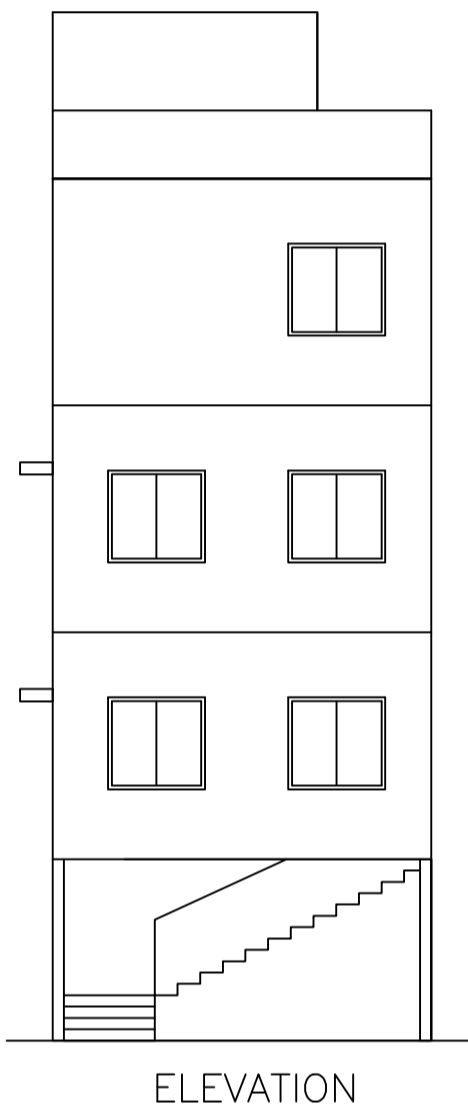
GROUND FLOOR



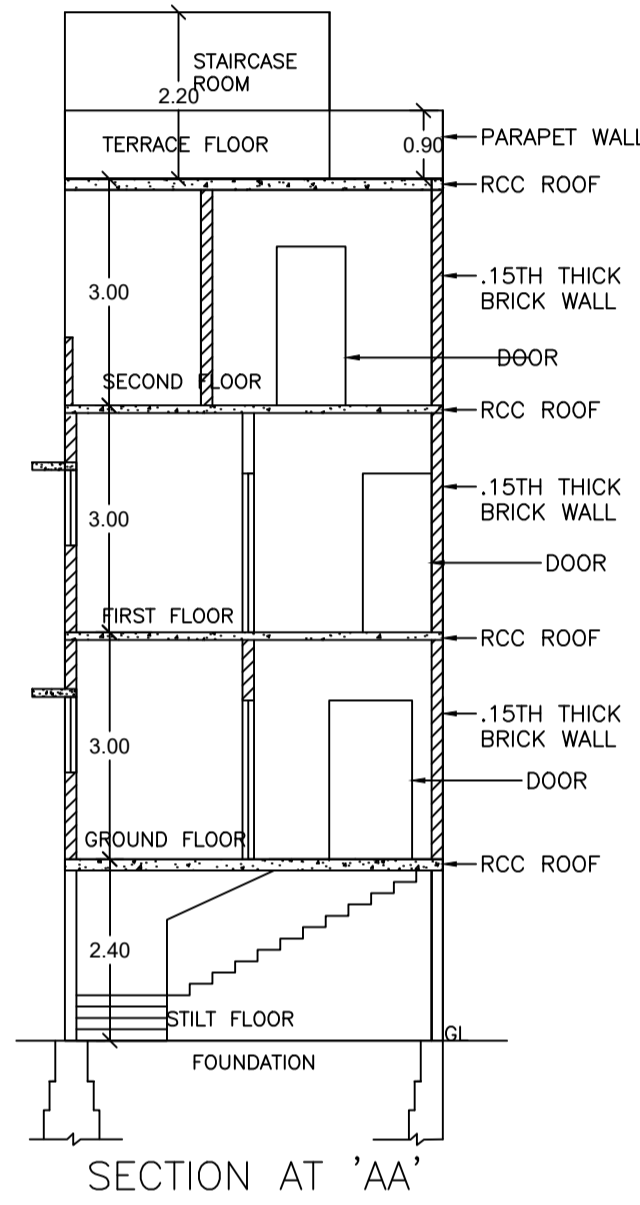
FIRST FLOOR



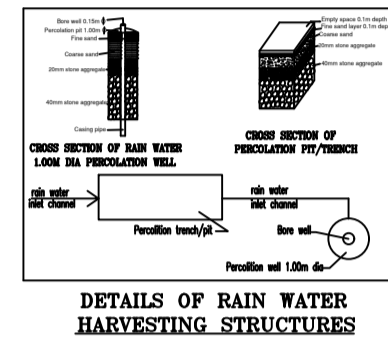
SECOND FLOOR



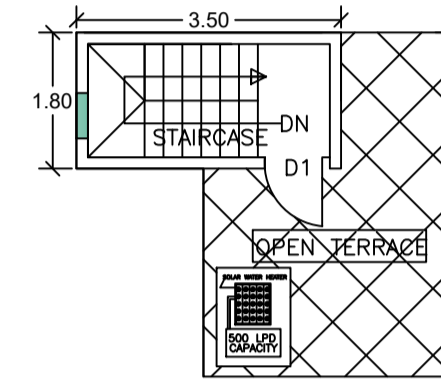
ELEVATION



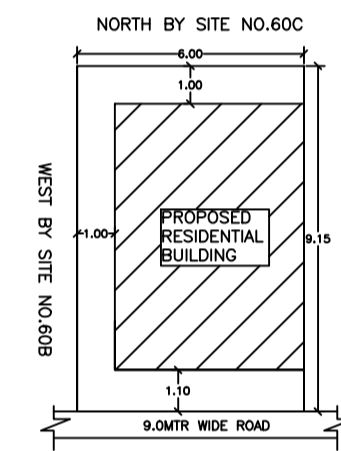
SECTION AT 'AA'



DETAILS OF RAIN WATER HARVESTING STRUCTURES



TERRACE FLOOR



SITE PLAN. SCALE: 1:200

Approval Condition :

This Plan Sanction is issued subject to the following conditions :

- Sanction is accorded for the Residential Building at 5BM-424, HRBR LAYOUT 2ND BLOCK, BANASAWADI, BANGALORE, Bangalore.
- Consist of 1Stilt + 1Ground + 2 only.
- Sanction is accorded for Residential use only. The use of the building shall not be deviated to any other use.
- 27.90 area reserved for car parking shall not be converted for any other purpose.
- Development charges towards increasing the capacity of water supply, sanitary and power main has to be paid to BWSSB and BESCOM if any.
- Necessary ducts for running telephone cables, cubicles at ground level for postal services & space for dumping garbage within the premises shall be provided.
- The applicant shall INSURE all workmen involved in the construction work against any accident / untoward incidents arising during the time of construction.
- The applicant shall ensure that the Rain Water Harvesting Structures are provided & maintained in good repair for storage of water for non potable purposes or recharge of ground water at all times having a minimum total capacity mentioned in the Bye-law 32(a).
- If any owner / builder contravenes the provisions of Building Bye-laws and rules in force, the authority will inform the same to the concerned registered Architect / Engineers / Supervisor in the first instance, warn in the second instance and cancel the registration of the professional if the same is repeated for the third time.
- The Builder / Contractor / Professional responsible for supervision of work shall not shall not materially and structurally deviate the construction from the sanctioned plan, without previous approval of the authority. They shall explain to the owner s about the risk involved in contravention of the provisions of the Act, Rules, Bye-laws, Zoning Regulations, Standing Orders and Policy Orders of the BBMP.
- In case of any false information, misrepresentation of facts, or pending court cases, the plan sanction is deemed cancelled.

Special Condition as per Labour Department of Government of Karnataka vide ADDENDUM (HosadaagiHoodike) Letter No. LD/95/LET/2013, dated: 01-04-2013 :

- Registration of Applicant / Builder / Owner / Contractor and the construction workers working in the construction site with the "Karnataka Building and Other Construction workers Welfare Board" should be strictly adhered to.
  - The Applicant / Builder / Owner / Contractor should submit the Registration of establishment and list of construction workers engaged at the time of issue of Commencement Certificate. A copy of the same shall also be submitted to the concerned local Engineer in order to inspect the establishment and ensure the registration of establishment and workers working at construction site or work place.
  - The Applicant / Builder / Owner / Contractor shall also inform the changes if any of the list of workers engaged by him.
  - At any point of time No Applicant / Builder / Owner / Contractor shall engage a construction worker in his site or work place who is not registered with the "Karnataka Building and Other Construction workers Welfare Board".
- Note :
- Accommodation shall be provided for setting up of schools for imparting education to the children of construction workers in the labour camps / construction sites.
  - List of children of workers shall be furnished by the builder / contractor to the Labour Department which is mandatory.
  - Employment of child labour in the construction activities strictly prohibited.
  - Obtaining NOC from the Labour Department before commencing the construction work is a must.
  - BBMP will not be responsible for any dispute that may arise in respect of property in question.
  - In case if the documents submitted in respect of property in question is found to be false or fabricated, the plan sanctioned stands cancelled automatically and legal action will be initiated.

| AREA STATEMENT (BBMP)  |   | VERSION NO.: 1.0.11      |
|--|---|--------------------------|
|  |   | VERSION DATE: 01/11/2018 |
| PROJECT DETAIL:  |   |                          |
| Authority: BBMP  | Plot Use: Residential   |                          |
| Inward No: BBMP/Ad.Com./EST/1211/19-20                           | Plot SubUse: Plotted Resi development   |                          |
| Application Type: Suvarna Parvangi                               | Land Use Zone: Residential (Main)   |                          |
| Proposal Type: Building Permission                               | Plot/Sub Plot No.: 5BM-424  |                          |
| Nature of Sanction: New  | PID No. (As per Khata Extract): 88-254-5BM-424                                  |                          |
| Location: Ring-II  | Locality / Street of the property: HRBR LAYOUT 2ND BLOCK, BANASAWADI, BANGALORE |                          |
| Building Line Specified as per Z.R: NA                           |   |                          |
| Zone: East   |   |                          |
| Ward: Ward-027   |   |                          |
| Planning District: 217-Kammanahalli                              |   |                          |
| AREA DETAILS:  |   | SQ.MT.                   |
| AREA OF PLOT (Minimum)   | (A)   | 54.84                    |
| NET AREA OF PLOT   | (A-Deductions)  | 54.84                    |
| COVERAGE CHECK   |   |                          |
| Permissible Coverage area (75.00 %)                              |   | 41.13                    |
| Proposed Coverage Area (64.19 %)                                 |   | 35.20                    |
| Achieved Net coverage area ( 64.19 % )                           |   | 35.20                    |
| Balance coverage area left ( 10.81 % )                           |   | 5.93                     |
| FAR CHECK  |   |                          |
| Permissible F.A.R. as per zoning regulation 2015 ( 1.75 )        |   | 95.97                    |
| Additional F.A.R within Ring I and II ( for amalgamated plot - ) |   | 0.00                     |
| Allowable TDR Area (60% of Perm.FAR)                             |   | 0.00                     |
| Premium FAR for Plot within Impact Zone ( - )                    |   | 0.00                     |
| Total Perm. FAR area ( 1.75 )                                    |   | 95.97                    |
| Residential FAR (92.37%)   |   | 88.53                    |
| Proposed FAR Area  |   | 95.84                    |
| Achieved Net FAR Area ( 1.75 )                                   |   | 95.84                    |
| Balance FAR Area ( 0.00 )  |   | 0.13                     |
| BUILT UP AREA CHECK  |   |                          |
| Proposed BuiltUp Area  |   | 130.03                   |
| Achieved BuiltUp Area  |   | 130.03                   |

Approval Date : 12/27/2019 6:39:54 PM

Payment Details

| Sr No. | Challan Number      | Receipt Number      | Amount (INR) | Payment Mode | Transaction Number | Payment Date          | Remark |
|--------|---------------------|---------------------|--------------|--------------|--------------------|-----------------------|--------|
| 1      | BBMP/32165/CH/19-20 | BBMP/32165/CH/19-20 | 335          | Online       | 9524978367         | 12/19/2019 2:49:31 PM | -      |
|        | No.                 | Head                |              |              | Amount (INR)       | Remark                |        |
|        | 1                   | Scrutiny Fee        |              |              | 335                | -                     |        |

COLOR INDEX

|                               |  |
|-------------------------------|--|
| PLOT BOUNDARY                 |  |
| ABUTTING ROAD                 |  |
| PROPOSED WORK (COVERAGE AREA) |  |
| EXISTING (To be retained)     |  |
| EXISTING (To be demolished)   |  |

Block :RESI (AA)

| Floor Name                  | Total Built Up Area (Sq.mt.) | Deductions (Area in Sq.mt.) |         | Proposed FAR Area (Sq.mt.) | Total FAR Area (Sq.mt.) | Tnmt (No.) |
|-----------------------------|------------------------------|-----------------------------|---------|----------------------------|-------------------------|------------|
|                             |                              | StairCase                   | Parking |                            |                         |            |
| Terrace Floor               | 6.30                         | 6.30                        | 0.00    | 0.00                       | 0.00                    | 00         |
| Second Floor                | 18.13                        | 0.00                        | 0.00    | 18.13                      | 18.13                   | 01         |
| First Floor                 | 35.20                        | 0.00                        | 0.00    | 35.20                      | 35.20                   | 01         |
| Ground Floor                | 35.20                        | 0.00                        | 0.00    | 35.20                      | 35.20                   | 01         |
| Stilt Floor                 | 35.20                        | 0.00                        | 27.89   | 0.00                       | 7.31                    | 00         |
| Total:                      | 130.03                       | 6.30                        | 27.89   | 88.53                      | 95.84                   | 03         |
| Total Number of Same Blocks | 1                            |                             |         |                            |                         |            |
| Total:                      | 130.03                       | 6.30                        | 27.89   | 88.53                      | 95.84                   | 03         |

SCHEDULE OF JOINERY:

| BLOCK NAME | NAME | LENGTH | HEIGHT | NOS |
|------------|------|--------|--------|-----|
| RESI (AA)  | D2   | 0.75   | 2.10   | 02  |
| RESI (AA)  | D1   | 0.91   | 2.10   | 03  |
| RESI (AA)  | MD   | 0.95   | 2.10   | 02  |

SCHEDULE OF JOINERY:

| BLOCK NAME | NAME | LENGTH | HEIGHT | NOS |
|------------|------|--------|--------|-----|
| RESI (AA)  | V    | 1.00   | 1.50   | 02  |
| RESI (AA)  | W    | 1.80   | 1.50   | 05  |

UnitBUA Table for Block :RESI (AA)

| FLOOR             | Name | UnitBUA Type | UnitBUA Area | Carpet Area | No. of Rooms | No. of Tenement |
|-------------------|------|--------------|--------------|-------------|--------------|-----------------|
| GROUND FLOOR PLAN | GF   | FLAT         | 22.70        | 19.93       | 3            | 1               |
| FIRST FLOOR PLAN  | FF   | FLAT         | 22.70        | 19.93       | 2            | 1               |
| SECOND FLOOR PLAN | SF   | FLAT         | 18.13        | 15.36       | 2            | 1               |
| Total:            | -    | -            | 63.53        | 55.22       | 7            | 3               |

Block USE/SUBUSE Details

| Block Name | Block Use   | Block SubUse             | Block Structure       | Block Land Use Category |
|------------|-------------|--------------------------|-----------------------|-------------------------|
| RESI (AA)  | Residential | Plotted Resi development | Bldg upto 11.5 m. Ht. | R                       |

Required Parking(Table 7a)

| Block Name | Type | SubUse | Area (Sq.mt.) | Units |       | Car        |       |
|------------|------|--------|---------------|-------|-------|------------|-------|
|            |      |        |               | Reqd. | Prop. | Reqd./Unit | Reqd. |
| Total:     |      |        | -             | -     | -     | 0          | 1     |

Parking Check (Table 7b)

| Vehicle Type  | Reqd. |               | Achieved |               |
|---------------|-------|---------------|----------|---------------|
|               | No.   | Area (Sq.mt.) | No.      | Area (Sq.mt.) |
| Car           | -     | -             | 1        | 13.78         |
| Total Car     | -     | -             | 1        | 13.78         |
| Other Parking | -     | -             | -        | 14.12         |
| Total         |       | 0.00          |          | 27.90         |

FAR &amp; Tenement Details

| Block        | No. of Same Bldg | Total Built Up Area (Sq.mt.) | Deductions (Area in Sq.mt.) |         | Proposed FAR Area (Sq.mt.) | Total FAR Area (Sq.mt.) | Tnmt (No.) |
|--------------|------------------|------------------------------|-----------------------------|---------|----------------------------|-------------------------|------------|
|              |                  |                              | StairCase                   | Parking |                            |                         |            |
| RESI (AA)    | 1                | 130.03                       | 6.30                        | 27.89   | 88.53                      | 95.84                   | 03         |
| Grand Total: | 1                | 130.03                       | 6.30                        | 27.89   | 88.53                      | 95.84                   | 3.00       |

The plans are approved in accordance with the acceptance for approval by the Assistant Director of town planning (EAST) on date: 27/12/2019 vide lp number: BBMP/Ad.Com./EST/1211/19-20 subject to terms and conditions laid down along with this building plan approval.

Validity of this approval is two years from the date of issue.

Name : CHANDAN KUMAR ASWATHAIAH  
Designation : Assistant Director Town Planning (ADTP)  
Organization : BRUHAT BANGALORE MAHANAGARA PALIKE  
Date : 16-Jan-2020 15:39:25

ASSISTANT DIRECTOR OF TOWN PLANNING (EAST)

BHRUHAT BENGALURU MAHANAGARA PALIKE

OWNER / GPA HOLDER'S SIGNATURE

OWNER'S ADDRESS WITH ID NUMBER & CONTACT NUMBER :  
1)GAJENDREN 2)RADHABAI NO.5BM-424, HRBR LAYOUT 2ND BLOCK, BANASAWADI

ARCHITECT/ENGINEER /SUPERVISOR'S SIGNATURE  
R. Vasanth Madhava No 29, 2nd main road, Tata Silk Fsm, Basavanagudi.

main road, Tata Silk Fsm, Basavanagudi.  
BCC/BL-3/6/E:3213:08-09

PROJECT TITLE :  
PLAN SHOWING OF PROPOSED RESIDENTIAL BUILDING AT SITE NO.5BM-424, HRBR LAYOUT 2ND BLOCK, BANASAWADI, BANGALORE. WARD NO.27(88) PID NO.88-254-5BM-424.

DRAWING TITLE : 1690768244-27-12-2019  
03-13-15\$ \_\$20X30  
2U-GAJA-PDCR-27-12

SHEET NO : 1